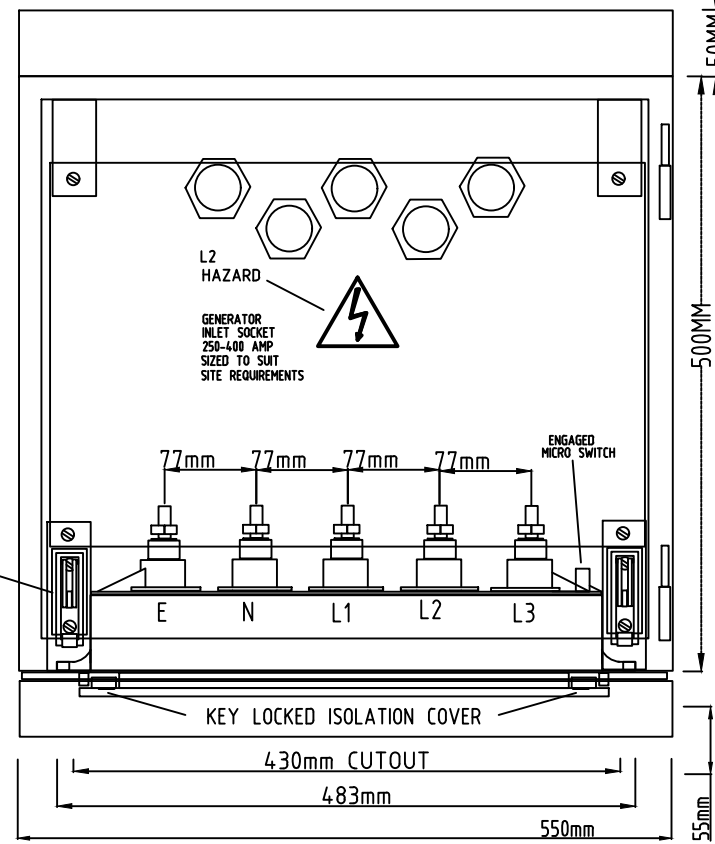
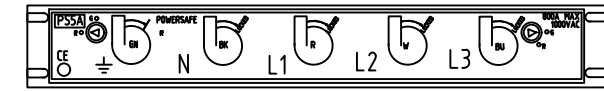
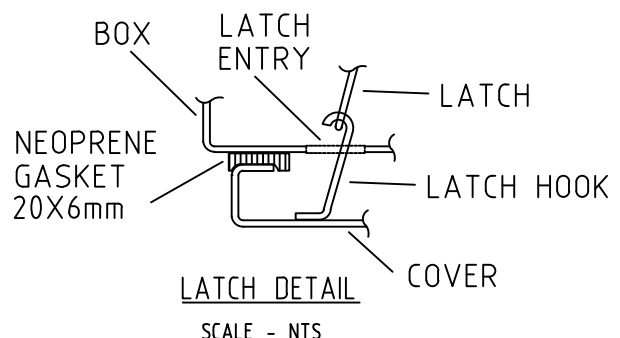
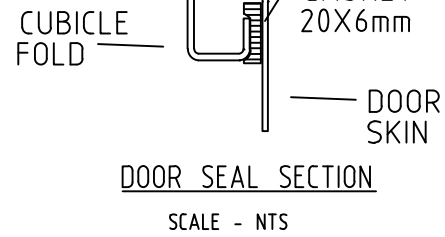
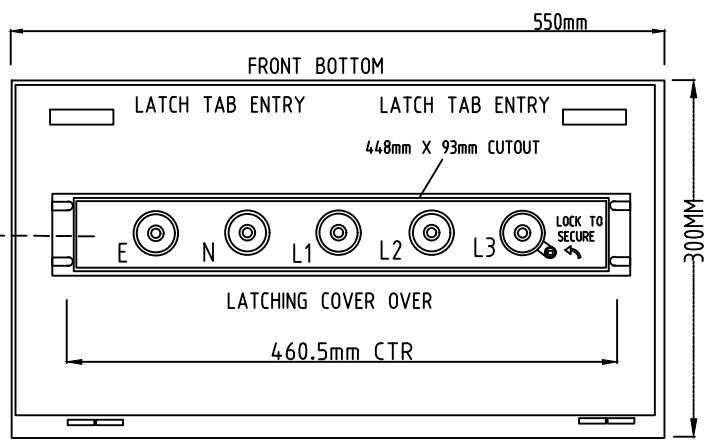


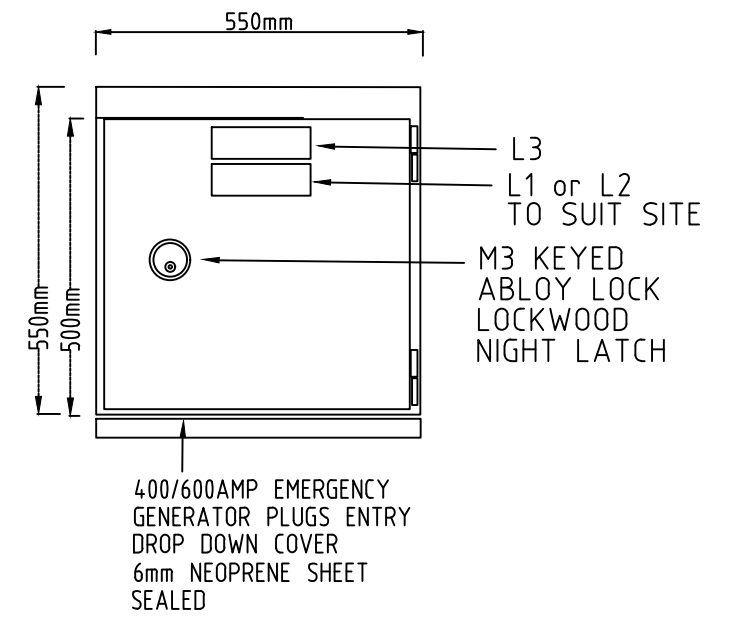
SECTIONAL SIDE VIEW  
SCALE - NTS



FRONT VIEW DOOR REMOVED  
SCALE - NTS



PHASE 3 POWERSAFE 800 AMP SEQUENTIAL CONNECTING BOX

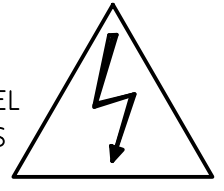


SECTIONAL SIDE VIEW  
SCALE - NTS

CONSTRUCTION NOTES:

- SWITCHBOARD FORM 3, TO AS3439.1 - 1993.
- DEGREE OF PROTECTION IP56, TO AS1939.
- CUBICLE MANUFACTURE FROM 3mm ALUMINIUM.
- MANUFACTURE DOORS, PANELS, ESCUTCHEONS, GEAR TRAYS AND GLAND PLATES FROM 3mm ALUMINIUM
- EXTERNAL DOORS - a. HINGES LENLOK, CHROME PLATED, LIFT-OFF, TOP HINGE PIN 5mm LONGER  
b. LOCKS 100 NIGHTLATCH, ABLOY 201 CYLINDERS SEW ABALLOY LOCK, M3 - API LOCKSMITHS  
c. OPENING 135 DEGREES.  
d. SEALED WITH NEOPRENE STRIPS.  
e. STIFFEN WERE REQUIRED.
- FIT DOORS WITH STAINLESS STAY RODS TO SECURE IN THE OPEN POSITION.
- FINISH - POWDER COAT, RIVERGUM GREEN TO AS2700 COLOUR G62
- FIT POWER SAFE PHASE 3 "800 AMP POWERSAFE SEQUENTIAL CONNECTING BOX" IN GENERATOR CONNECTION [400 AMP MAX CONNECTION WITH PLUGS] WITH 44.8mm X 93mm CUTOUT FOR MOUNTING ON BOTTOM OF BOX FOR LOADS HIGHER THAN 400A REFER TO SEW.STD.GCP.E.004 FOR 400A AND UP DETAILS
- FIT CAPTIVE HINGED BOTTOM COVER DOOR, NEOPRENE SEALED WITH OVER CENTER LATCHES INSIDE BOX, HINGED BACKWARDS TO SUIT EASY PLUG ENTRY)
- USE 800 AMP PLUGS WITH 400 AMP FLEXIBLE CABLES DUE TO CABLE OUTER DIAMETER

L2  
YELLOW LABEL  
/BLACK LINES



PHASE 3 POWERSAFE  
PANEL DRAIN PD5-AU-108 800AMP  
AS REQUESTED FOR SITE

LABEL SCHEDULE		
LABEL No	ENGRAVING	
L1	400 AMP INLET CONNECTION	(STAINLESS STEEL)
L2	HAZARD [SEE DETAIL]	(YELLOW/BLACK TEXT)
L3	GENERATOR CONNECTION POINT AUTHORISED PERSONS ONLY	(STAINLESS STEEL)

CONNECTION NOTES :-  
250-400 AMP CONNECTION WITH PLUGS  
[USE 800 AMP PLUG WITH FLEXIBLE CABLES]  
[EXCESSIVE OUTER DIA OF FLEXIBLE CABLES]

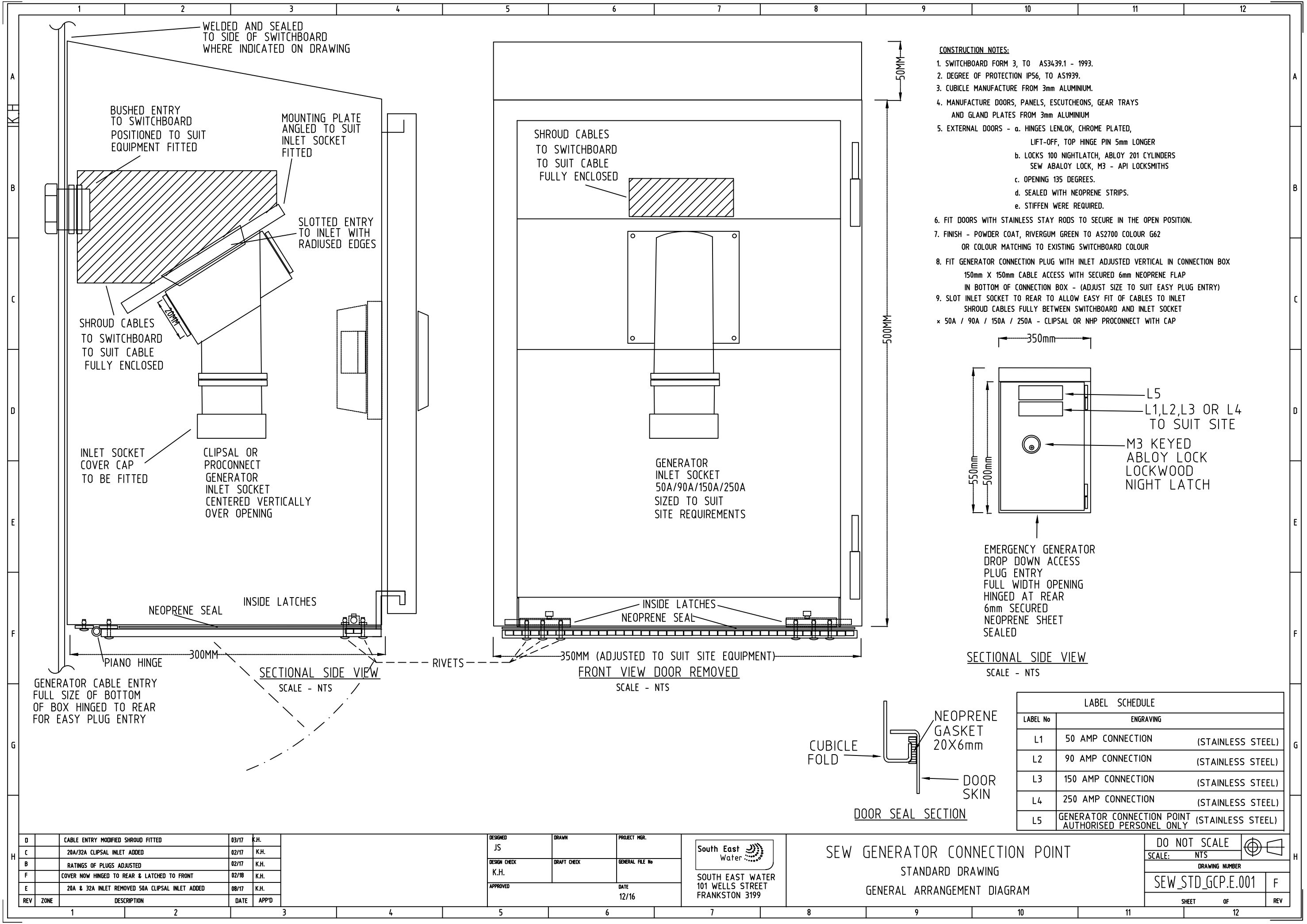
REV	ZONE	DESCRIPTION	DATE	APP'D
B		CONNECTIONS CHANGED 250A TO 400A TERMINATIONS	18/6/18	K.H.
A		PHASE 3 POWERSAFE 800 A CONNECTOR ADDED	08/17	K.H.
0		400-660 AMP GENERATOR CONNECTION DRAWN	12/16	K.H.

DESIGNED JS	DRAWN	PROJECT MGR.
DESIGN CHECK K.H.	DRAFT CHECK	GENERAL FILE No
APPROVED J.STREET	DATE 12/16	

South East Water  
SOUTH EAST WATER  
101 WELLS STREET  
FRANKSTON 3199

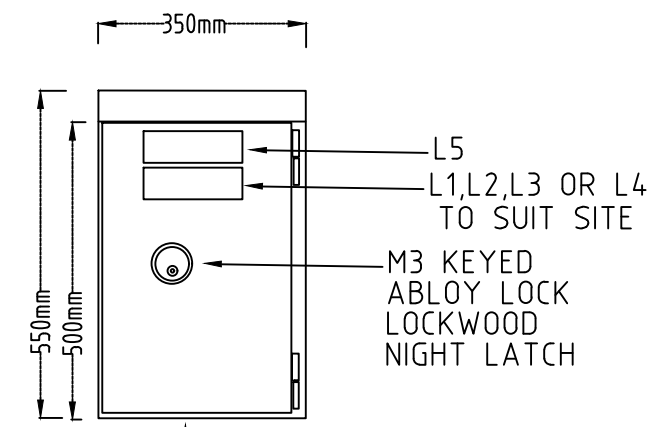
250-400A GENERATOR CONNECTION POINT  
STANDARD DRAWING  
GENERAL ARRANGEMENT DIAGRAM

DO NOT SCALE	
SCALE: NTS	
DRAWING NUMBER	
250-400A_GCP.E.003	B
SHEET OF	REV
11	12



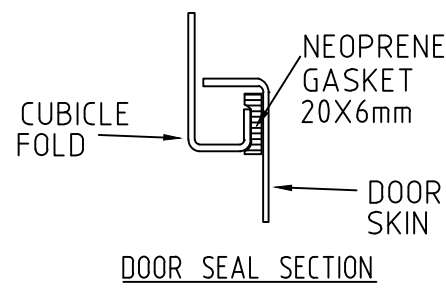
**CONSTRUCTION NOTES:**

1. SWITCHBOARD FORM 3, TO AS3439.1 - 1993.
2. DEGREE OF PROTECTION IP56, TO AS1939.
3. CUBICLE MANUFACTURE FROM 3mm ALUMINIUM.
4. MANUFACTURE DOORS, PANELS, ESCUTCHEONS, GEAR TRAYS AND GLAND PLATES FROM 3mm ALUMINIUM
5. EXTERNAL DOORS - a. HINGES LENLOK, CHROME PLATED, LIFT-OFF, TOP HINGE PIN 5mm LONGER  
 b. LOCKS 100 NIGHTLATCH, ABLOY 201 CYLINDERS SEW ABALOY LOCK, M3 - API LOCKSMITHS  
 c. OPENING 135 DEGREES.  
 d. SEALED WITH NEOPRENE STRIPS.  
 e. STIFFEN WERE REQUIRED.
6. FIT DOORS WITH STAINLESS STAY RODS TO SECURE IN THE OPEN POSITION.
7. FINISH - POWDER COAT, RIVERGUM GREEN TO AS2700 COLOUR G62 OR COLOUR MATCHING TO EXISTING SWITCHBOARD COLOUR
8. FIT GENERATOR CONNECTION PLUG WITH INLET ADJUSTED VERTICAL IN CONNECTION BOX 150mm X 150mm CABLE ACCESS WITH SECURED 6mm NEOPRENE FLAP IN BOTTOM OF CONNECTION BOX - (ADJUST SIZE TO SUIT EASY PLUG ENTRY)
9. SLOT INLET SOCKET TO REAR TO ALLOW EASY FIT OF CABLES TO INLET SHROUD CABLES FULLY BETWEEN SWITCHBOARD AND INLET SOCKET  
 x 50A / 90A / 150A / 250A - CLIPSAL OR NHP PROCONNECT WITH CAP



EMERGENCY GENERATOR DROP DOWN ACCESS  
 PLUG ENTRY  
 FULL WIDTH OPENING  
 HINGED AT REAR  
 6mm SECURED  
 NEOPRENE SHEET  
 SEALED

**SECTIONAL SIDE VIEW**  
 SCALE - NTS



LABEL SCHEDULE		
LABEL No	ENGRAVING	
L1	50 AMP CONNECTION	(STAINLESS STEEL)
L2	90 AMP CONNECTION	(STAINLESS STEEL)
L3	150 AMP CONNECTION	(STAINLESS STEEL)
L4	250 AMP CONNECTION	(STAINLESS STEEL)
L5	GENERATOR CONNECTION POINT (STAINLESS STEEL) <small>AUTHORISED PERSONEL ONLY</small>	

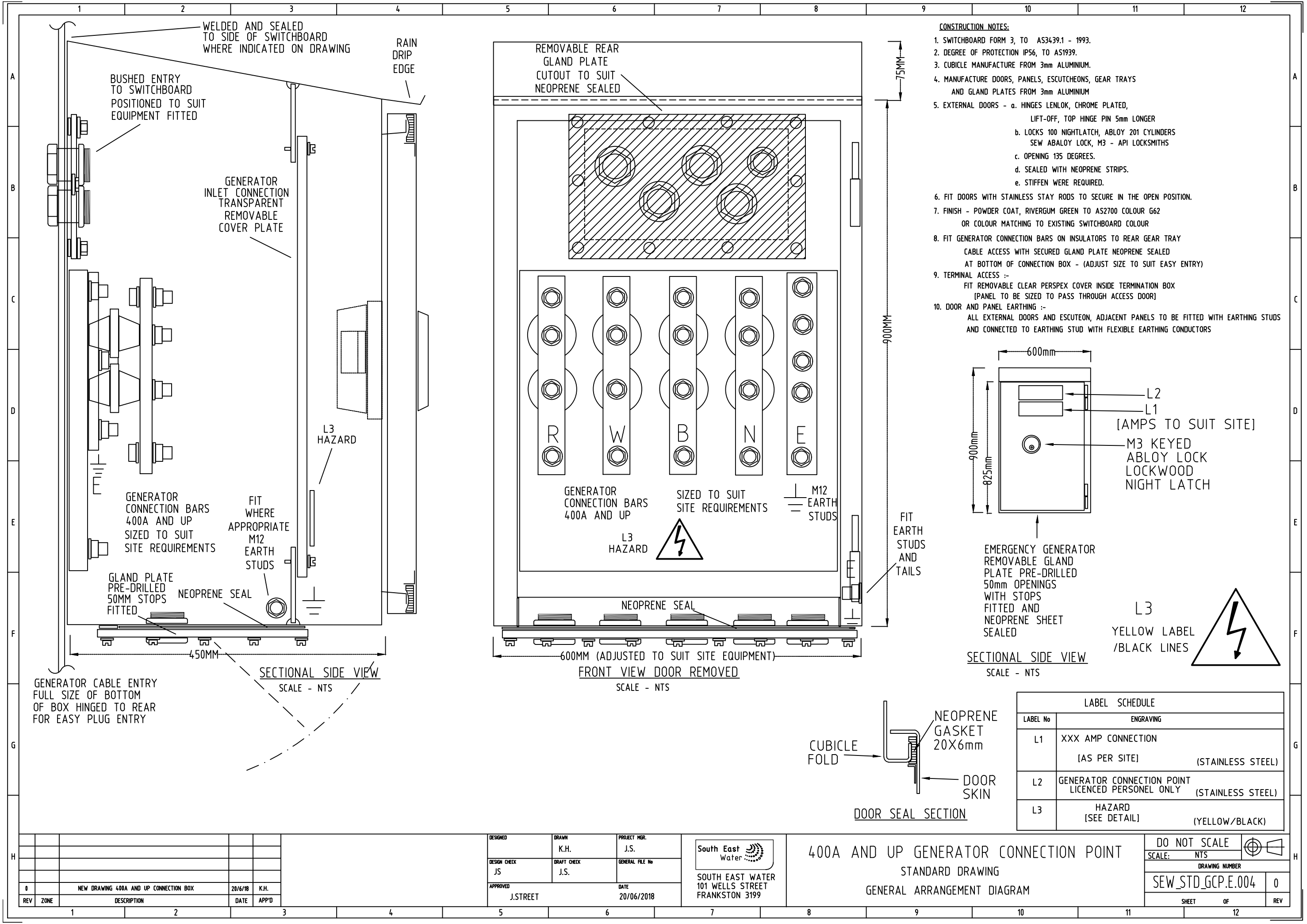
REV	ZONE	DESCRIPTION	DATE	APP'D
D		CABLE ENTRY MODIFIED SHROUD FITTED	03/17	K.H.
C		20A/32A CLIPSAL INLET ADDED	02/17	K.H.
B		RATINGS OF PLUGS ADJUSTED	02/17	K.H.
F		COVER NOW HINGED TO REAR & LATCHED TO FRONT	02/18	K.H.
E		20A & 32A INLET REMOVED 50A CLIPSAL INLET ADDED	08/17	K.H.

DESIGNED JS	DRAWN	PROJECT MGR.
DESIGN CHECK K.H.	DRAFT CHECK	GENERAL FILE No
APPROVED	DATE 12/16	

South East Water  
 SOUTH EAST WATER  
 101 WELLS STREET  
 FRANKSTON 3199

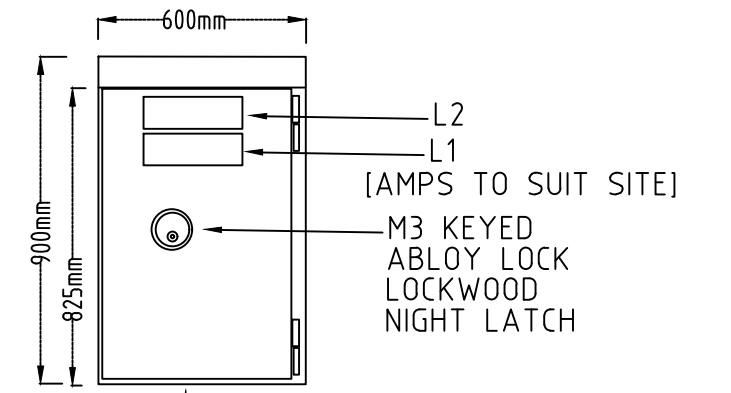
**SEW GENERATOR CONNECTION POINT**  
 STANDARD DRAWING  
 GENERAL ARRANGEMENT DIAGRAM

DO NOT SCALE	
SCALE: NTS	
DRAWING NUMBER	
SEW_STD_GCP.E.001	F
SHEET OF	REV

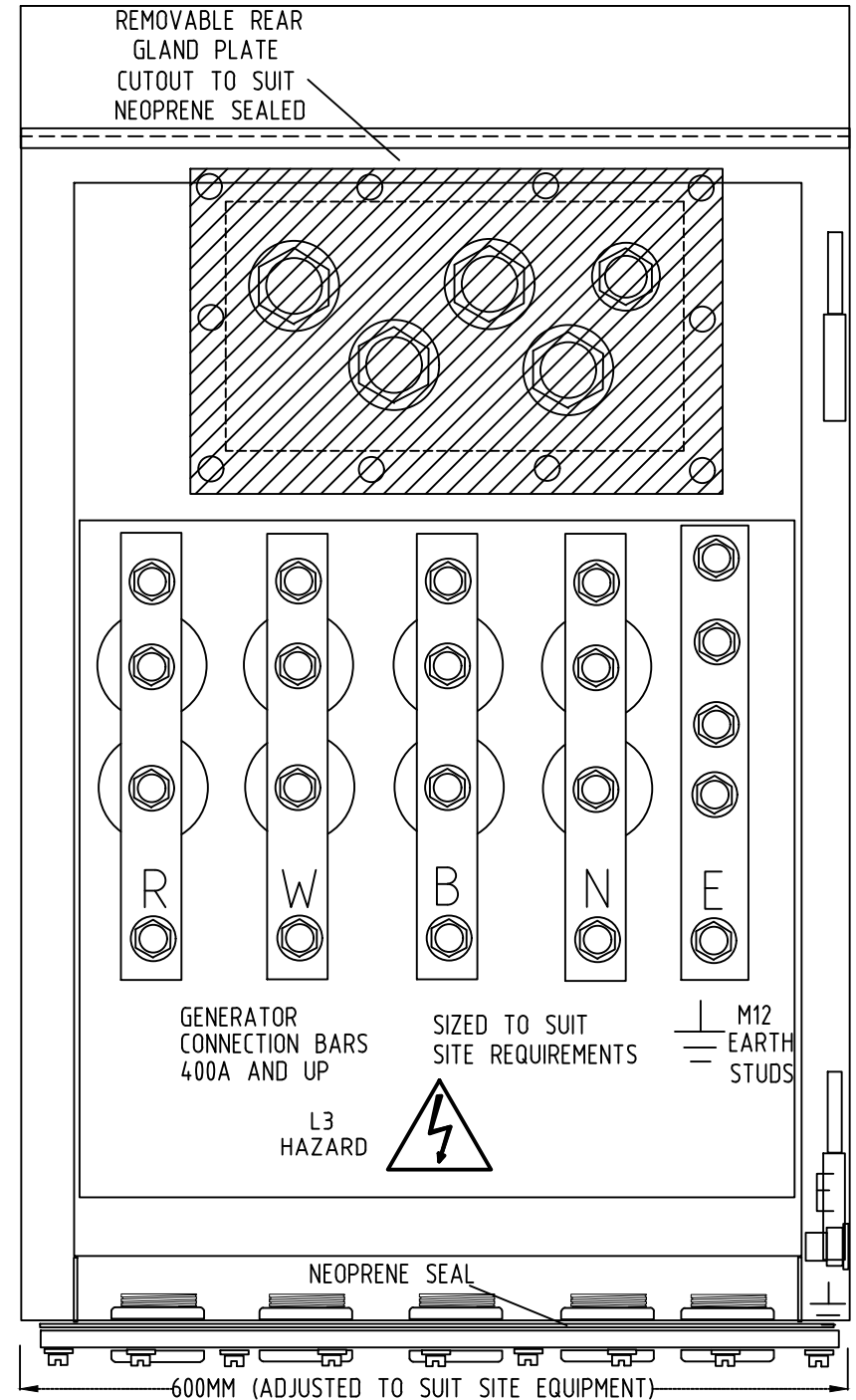


**CONSTRUCTION NOTES:**

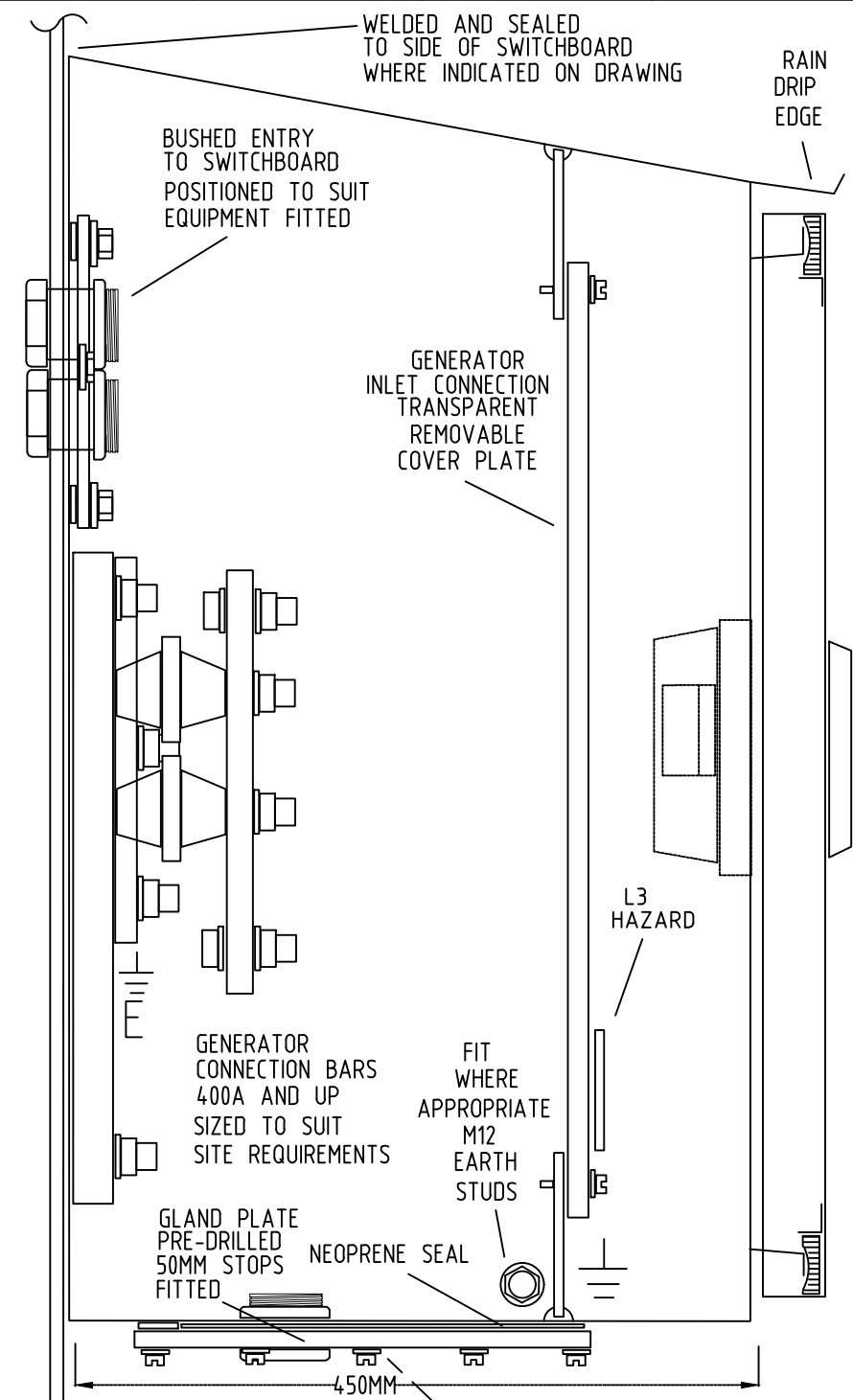
1. SWITCHBOARD FORM 3, TO AS3439.1 - 1993.
2. DEGREE OF PROTECTION IP56, TO AS1939.
3. CUBICLE MANUFACTURE FROM 3mm ALUMINIUM.
4. MANUFACTURE DOORS, PANELS, ESCUTCHEONS, GEAR TRAYS AND GLAND PLATES FROM 3mm ALUMINIUM
5. EXTERNAL DOORS -
  - a. HINGES LENLOK, CHROME PLATED, LIFT-OFF, TOP HINGE PIN 5mm LONGER
  - b. LOCKS 100 NIGHTLATCH, ABLOY 201 CYLINDERS SEW ABALOY LOCK, M3 - API LOCKSMITHS
  - c. OPENING 135 DEGREES.
  - d. SEALED WITH NEOPRENE STRIPS.
  - e. STIFFEN WERE REQUIRED.
6. FIT DOORS WITH STAINLESS STAY RODS TO SECURE IN THE OPEN POSITION.
7. FINISH - POWDER COAT, RIVERGUM GREEN TO AS2700 COLOUR G62 OR COLOUR MATCHING TO EXISTING SWITCHBOARD COLOUR
8. FIT GENERATOR CONNECTION BARS ON INSULATORS TO REAR GEAR TRAY CABLE ACCESS WITH SECURED GLAND PLATE NEOPRENE SEALED AT BOTTOM OF CONNECTION BOX - (ADJUST SIZE TO SUIT EASY ENTRY)
9. TERMINAL ACCESS :- FIT REMOVABLE CLEAR PERSPEX COVER INSIDE TERMINATION BOX (PANEL TO BE SIZED TO PASS THROUGH ACCESS DOOR)
10. DOOR AND PANEL EARTHING :- ALL EXTERNAL DOORS AND ESCUTEON, ADJACENT PANELS TO BE FITTED WITH EARTHING STUDS AND CONNECTED TO EARTHING STUD WITH FLEXIBLE EARTHING CONDUCTORS



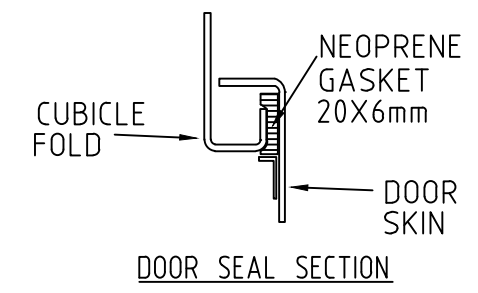
SECTIONAL SIDE VIEW  
SCALE - NTS



FRONT VIEW DOOR REMOVED  
SCALE - NTS



SECTIONAL SIDE VIEW  
SCALE - NTS



DOOR SEAL SECTION

LABEL SCHEDULE	
LABEL No	ENGRAVING
L1	XXX AMP CONNECTION (AS PER SITE) (STAINLESS STEEL)
L2	GENERATOR CONNECTION POINT LICENCED PERSONEL ONLY (STAINLESS STEEL)
L3	HAZARD (SEE DETAIL) (YELLOW/BLACK)

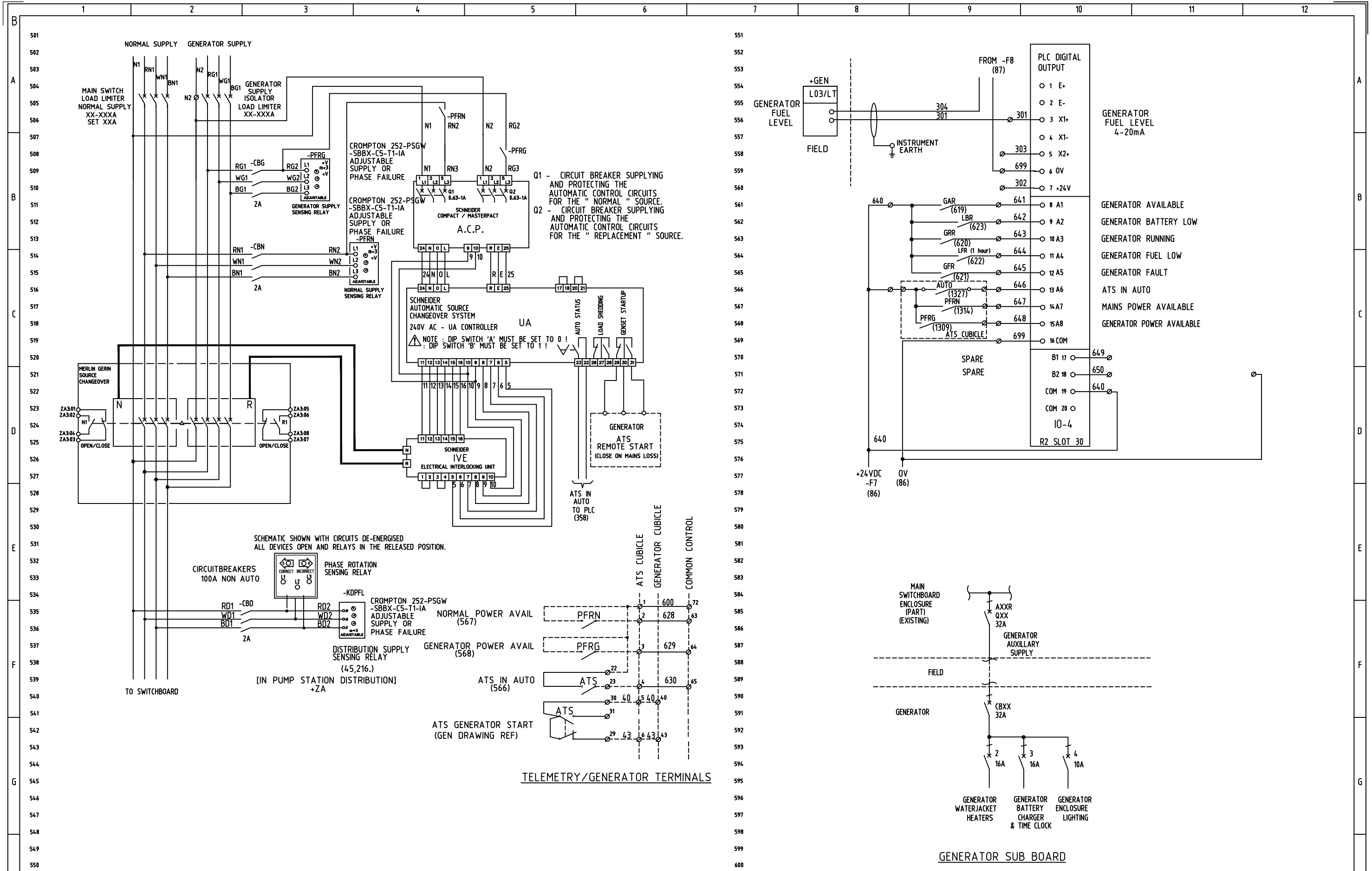
REV	ZONE	DESCRIPTION	DATE	APP'D
0		NEW DRAWING 400A AND UP CONNECTION BOX	20/6/18	K.H.

DESIGNED	DRAWN	PROJECT MGR.
	K.H.	J.S.
DESIGN CHECK	DRAFT CHECK	GENERAL FILE No
JS	J.S.	
APPROVED	DATE	
J.STREET	20/06/2018	

South East Water  
SOUTH EAST WATER  
101 WELLS STREET  
FRANKSTON 3199

400A AND UP GENERATOR CONNECTION POINT  
STANDARD DRAWING  
GENERAL ARRANGEMENT DIAGRAM

DO NOT SCALE	
SCALE: NTS	DRAWING NUMBER
SEW_STD_GCP.E.004	0
SHEET OF	REV



REV	ZONE	DESCRIPTION	DATE	APP'D
B		CROMPTON PHASE FAILURE RELAYS LABELED	03/18	K.H.
A		DRAWN FOR UPGRADE, PHASE ROTATION ADDED	01/18	K.H.
0		DRAWN FOR STANDARDS	12/12	K.H.

DESIGNED	DRAWN	PROJECT MGR.
	J.S.	J.S.
DESIGN CHECK	DRAFT CHECK	GENERAL FILE No
K.H.		
APPROVED	DATE	
	12/17	

DO NOT SCALE	SCALE: NTS
DRAWING NUMBER	SEW-STD-G-001
SHEET OF	REV
12	B

South East Water  
 SOUTH EAST WATER  
 101 WELLS STREET  
 FRANKSTON 3199

**GENERATOR STANDARD DRAWING**  
 GENERATOR ATS / LOAD LIMITERS  
 & I/O DIAGRAM

DO NOT SCALE  
 SCALE: NTS  
 DRAWING NUMBER  
 SEW-STD-G-001  
 SHEET OF  
 REV