

ORIGINAL SIZE
 200 mm
 150
 100
 90
 80
 70
 60
 50
 40
 30
 20
 10
 0
 A1
 F
 G
 H
 C:\Users\mmedomac\AppData\Local\Microsoft\Windows\CurrentVersion\Fonts\Fonts\A1-23.dwg
 C:\Users\mmedomac\AppData\Local\Microsoft\Windows\CurrentVersion\Fonts\Fonts\A1-23.dwg
 Plotted @ 07/8/2018 11:39am by mmedomac

1 2 3 4 5 6 7 8 9 10 11 12

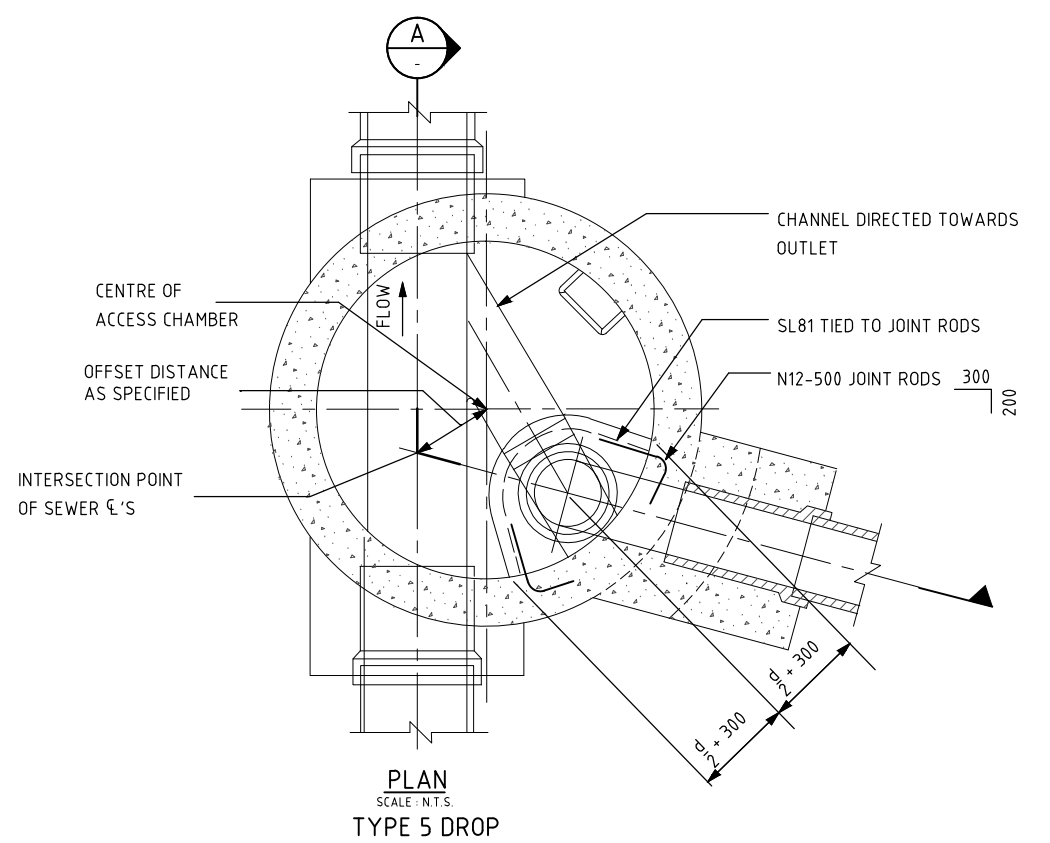
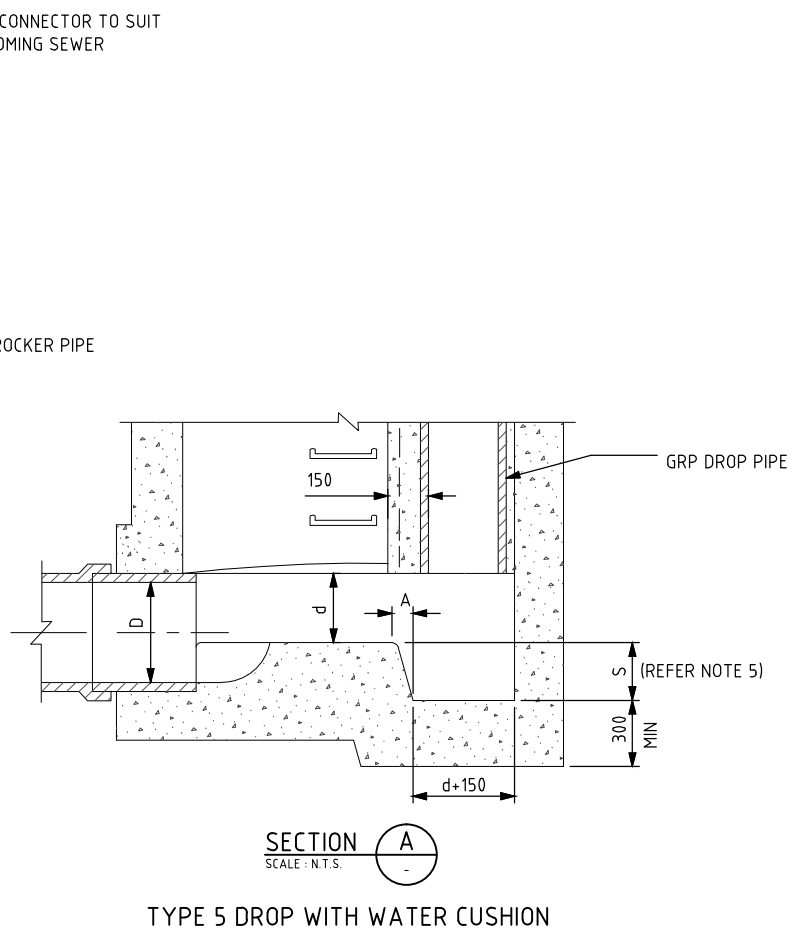
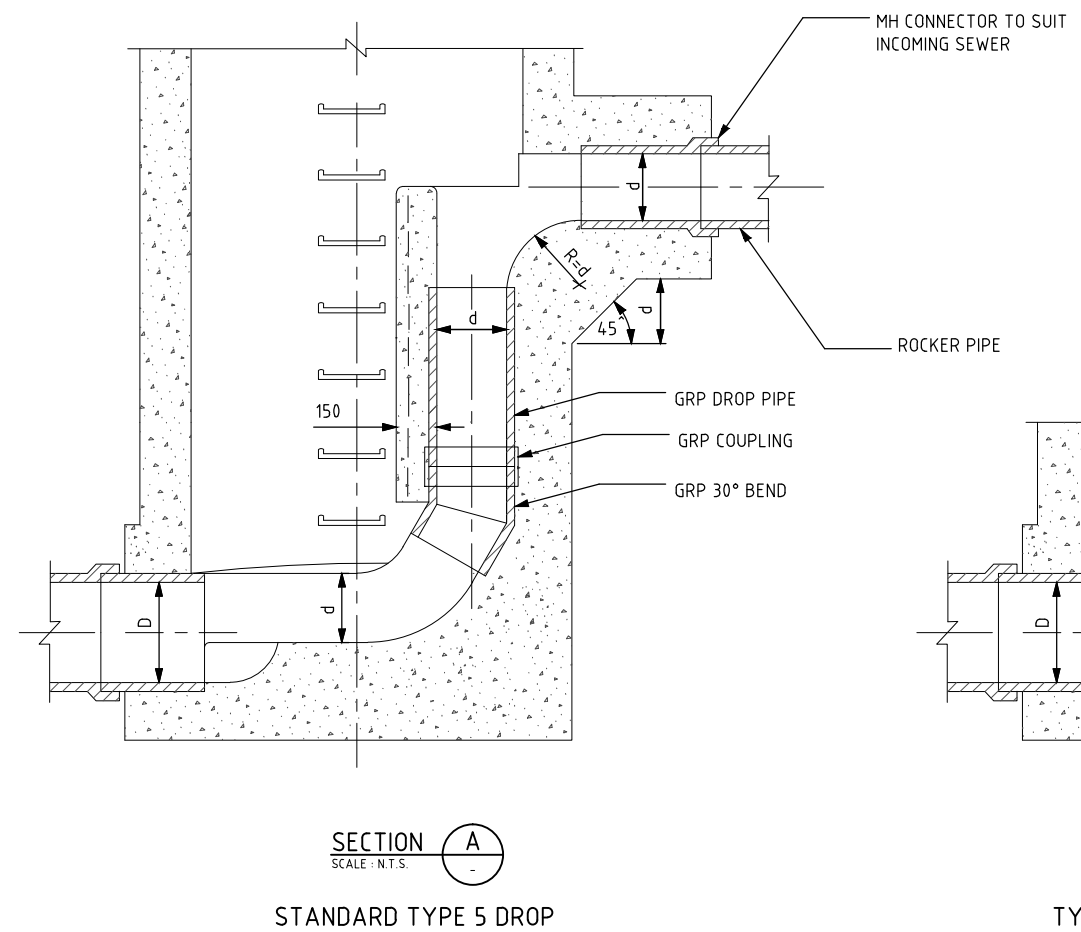


TABLE 1 - MINIMUM DROP HEIGHTS ABOVE INVERT OF RECEIVING SEWER

| INCOMING SEWER SIZE DN | DROP PIPE SIZE DN | MIN DROP HEIGHT mm |
|------------------------|----------------------|--------------------|
| 100 | 100 | 500 |
| 150 | 150 | 500 |
| 225 | 150 | 790 |
| 300 | 225 | 1160 |
| ≥375 | TYPE 5 DROP REQUIRED | |

NOTE:

- REFER STANDARD DRAWING SEW-1306-V FOR DROP DETAILS.
- WHEN THE LEVEL OF THE INCOMING SEWER IS LESS THAN THE MINIMUM DROP HEIGHT, THE SEWER SHALL BE GRADED TO CONNECT TO THE BASE OF THE MAINTENANCE HOLE.



NOTES FOR TYPE 5 DROPS:

- DETAILS SHOWN FOR TYPE 5 DROPS ARE INDICATIVE ONLY AND SHALL BE CONFIRMED AND/OR MODIFIED BY THE DESIGNER AS NECESSARY IN CONSULTATION WITH SOUTH EAST WATER.
- THE MAXIMUM DROP HEIGHT FOR STANDARD TYPE 5 DROPS IS 6M FOR DN375-525 AND 3M FOR ≥DN600. WHERE THESE HEIGHTS ARE EXCEEDED REFER TO MRWA EDITION OF WSA 02-2002-2.3 SECTION 7.7 FOR INFORMATION ON WATER CUSHIONS AND VORTEX INLETS.
- DESIGN OF WATER CUSHIONS AND VORTEX INLETS SHALL BE UNDERTAKEN BY AN HYDRAULIC SPECIALIST IN CONSULTATION WITH SOUTH EAST WATER.
- THE DESIGNER SHALL SPECIFY THE BACKFILL MATERIAL AND COMPACTION REQUIRED TO PROVIDE SUPPORT TO THE INCOMING PIPELINE.
- TYPICAL WATER CUSHION DIMENSIONS:

| DIFFERENCE IN INVERT LEVELS | S | A |
|-----------------------------|-----|-----|
| <3000 | 300 | 80 |
| >3000 | 500 | 135 |

- TYPE 5 DROP DETAILS HAVE BEEN BASED ON AND ADAPTED FROM WITS DRAWING SCH.043

THIS DRAWING IS TO BE READ IN CONJUNCTION WITH THE MRWA EDITION OF THE WSA SEWERAGE CODE WSA-02-2002.3, STANDARD DRAWINGS AND WSA PRODUCT SPECIFICATIONS.

| | | | | | | | | | | | | |
|--|---------------------------|---------|-----------|-------------|---|----------|-----------------|---------------------------------|---|--|---|--|
| Copyright THIS DOCUMENT IS AND SHALL REMAIN THE PROPERTY OF SOUTH EAST WATER CORPORATION. THIS DOCUMENT MAY ONLY BE USED FOR THE PURPOSE FOR WHICH IT WAS COMMISSIONED AND IN ACCORDANCE WITH THE TERMS OF ENGAGEMENT FOR THE COMMISSION. THIS DESIGN SHOULD NOT BE COPIED OR AMENDED WITHOUT WRITTEN PERMISSION FROM SOUTH EAST WATER. UNAUTHORISED USE OF THIS DOCUMENT IN ANY WAY IS PROHIBITED. | | | | | South East Water Corporation 20 Corporate Drive Heatherton VIC 3202 T 61 3 9552 3000 F 613 9552 3001 E info@sew.com.au www.sew.com.au | | | | SOUTH EAST WATER CORPORATION MAINTENANCE HOLE TECHNICAL ADDENDUM MINIMUM DROP HEIGHT AND TYPE 5 DROP DETAILS | | PLAN TYPE: CIVIL SCALE: N.T.S. DRAWING NUMBER MHTA-03 NUMERAL 0 REV | |
| 0 | TECHNICAL ADDENDUM REV. C | 01/2015 | ANDREW D. | LAIJU M. A. | COLIN P. | COLIN P. | MELWAY REF: N/A | SHEET SIZE: A1 (FULL SIZE PLOT) | APPROVED: EAMON C. | | | |

THE ORIGINAL DRAWING WAS HAND SIGNED BY THE PERSON WHOSE NAME OR INITIALS APPEAR PRINTED AND MARKED THUS (#) IN THE SIGNATURE BLOCKS.